



Wellworth® Classic

Two-piece elongated 1.6 gpf toilet
K-3505

Features

- Elongated bowl offers added room and comfort.
- Equipped with Sloan FLUSHMATE® – Sloan® Valve Company.
- 1.6 gpf (6.0 lpf)
- 12" x 10" (305 mm x 254 mm) water surface.
- Left-hand Polished Chrome trip lever.

Material

- Vitreous china.

Installation

- Seat and supply line sold separately.
- Standard 12" (305 mm) rough-in.

Recommended Products/Accessories

- K-4636 Cachet® Quiet-Close™ Elongated Toilet Seat
- K-5588 Purefresh® Elongated Toilet Seat
- K-4108 C³®-230 Elongated bidet toilet seat
- K-5420 Low-Profile Bolt Caps

Included Components

Product consists of:

- 4645
- 4303
- 9481-L

Additional Components:

- Bolt cap accessory pack
- Equipped with Sloan FLUSHMATE® – Sloan® Valve Company
- Tank accessory pack
- Tank cover



Codes/Standards




- ASME A112.19.2/CSA B45.1
- DOE - Energy Policy Act 1992

KOHLER® One-Year Limited Warranty

See website for detailed warranty information.

Available Colors/Finishes

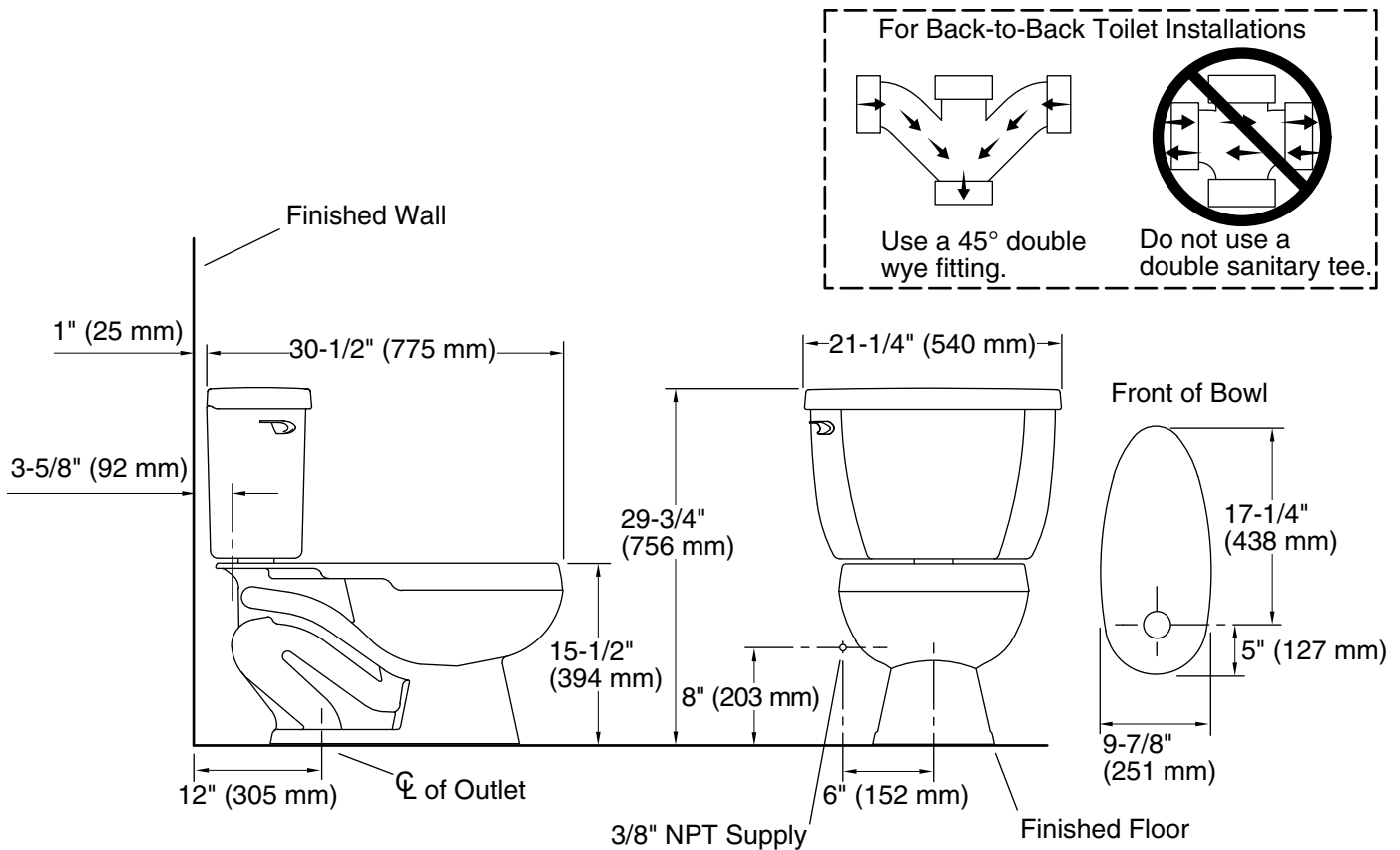
Color tiles intended for reference only.

| Color | Code | Description |
|---|------|--------------|
|  | 0 | White |
|  | 96 | Biscuit |
|  | 7 | Black Black™ |



Wellworth® Classic

Two-piece elongated 1.6 gpf toilet
K-3505



Technical Information

All product dimensions are nominal.

| | |
|-----------------------|-----------------------------|
| Toilet type: | Two-piece, Floor-mount |
| Waste Outlet: | Floor |
| Bowl shape: | Elongated |
| Flush type: | Pressure Assisted |
| Trap passageway: | 2-1/4" (57 mm) |
| Water Consumption | |
| Full: | 1.6 gpf (6 lpf) |
| Water surface size: | 12" x 10" (305 mm x 254 mm) |
| Rim to water surface: | 5-5/8" (143 mm) |
| Rough-in: | 12" (305 mm) |
| Seat-mounting holes: | 5-1/2" (140 mm) |

Fixture Supply Requirements

| | |
|----------------------|--------------------|
| Min static pressure: | 20 psi (137.9 kPa) |
| Max static pressure: | 80 psi (551.6 kPa) |

Notes

Install this product according to the installation instructions.

For back-to-back toilet installations: Use only a 45° double wye fitting.